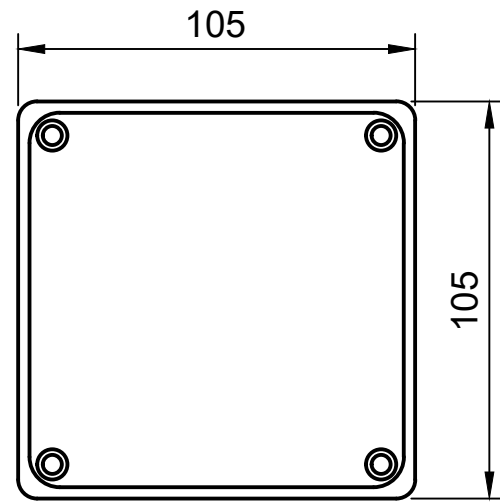
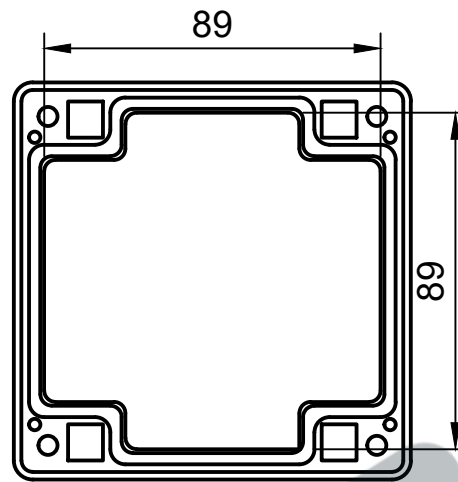


ISO

Dept. MECH	Technical reference	Created by HEMANTH C 8/15/2020	Approved by PRATHEEK 8/15/2020
		Document type PDF	Document status
		Title PROBOTS WPE02	DWG No. 1
		Rev.	Date of issue 8/15/2020
			Sheet 1/2



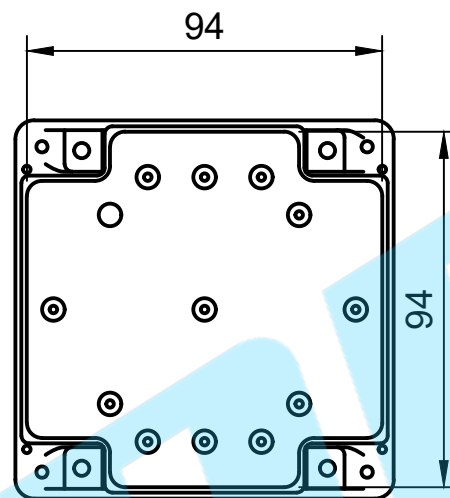
TOP (OD)



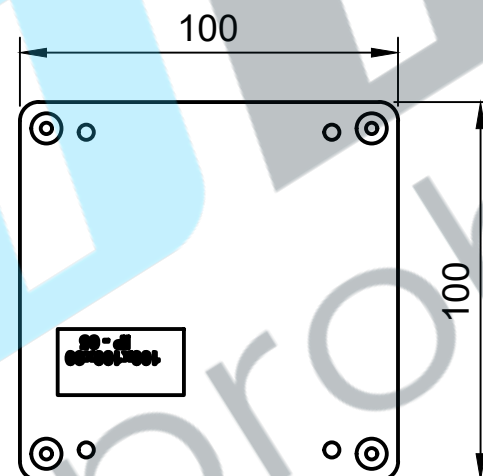
TOP (ID)



SIDE (TOP)



BOTTOM (ID)



BOTTOM (OD)



SIDE (BOTTOM)

NOTE : All dimenstions are in mm.  
 M3 ISO Standard screws are uses.  
 OD -Outer diameter, ID -Inner diameter.

Dept.	Technical reference	Created by <b>HEMANTH C</b> 8/15/2020	Approved by <b>PRATHEEK</b> 8/15/2020
		Document type <b>PDF</b>	Document status
		Title <b>PROBOTS WPE02</b>	DWG No. <b>1</b>
	Rev.	Date of issue <b>8/15/2020</b>	Sheet <b>2/2</b>