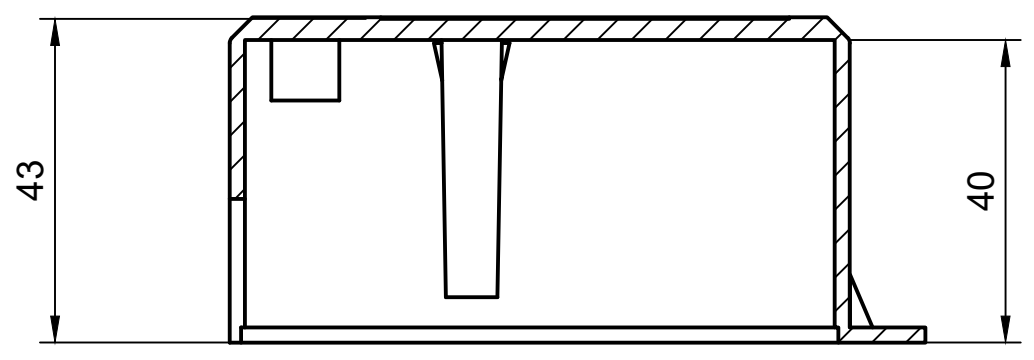
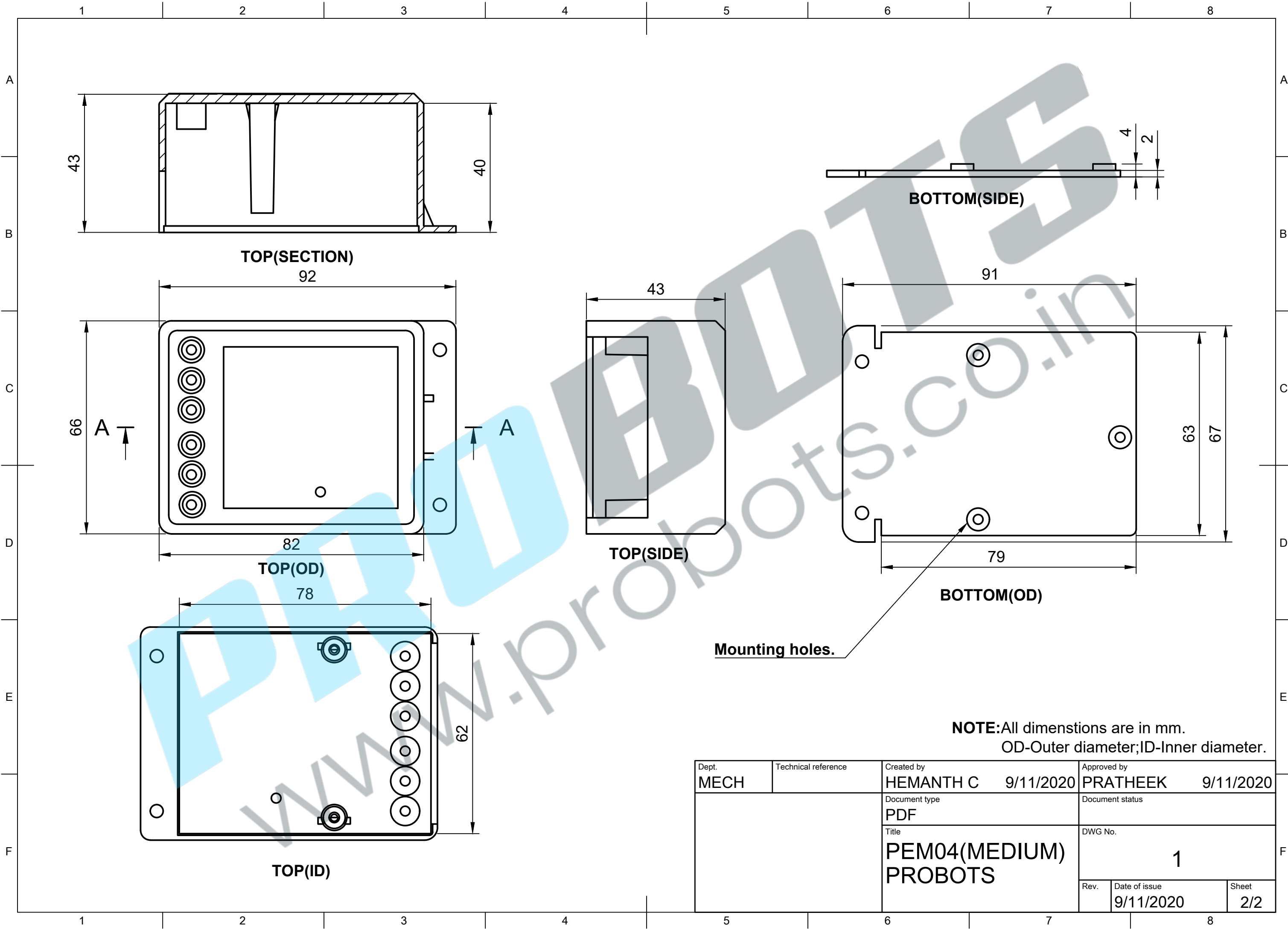


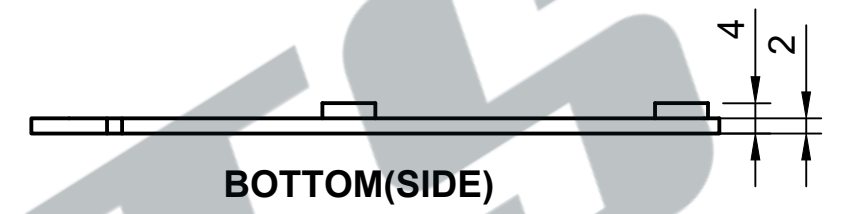
ISO

1)TOP.
2)BOTTOM.

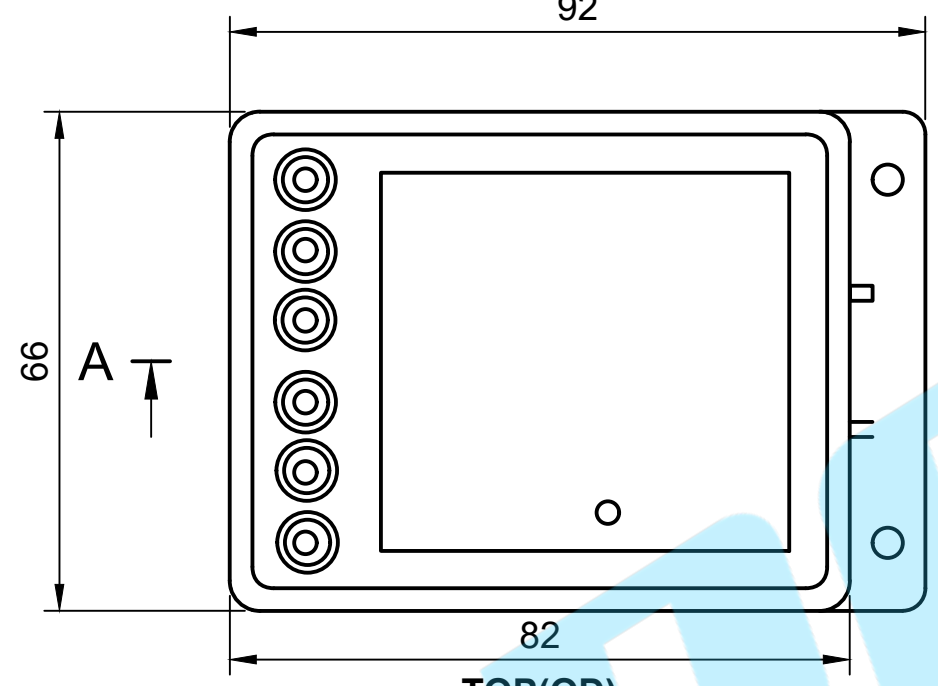
Dept. MECH	Technical reference	Created by HEMANTH C 9/11/2020	Approved by PRATHEEK 9/11/2020
		Document type PDF	Document status
		Title PEM04(MEDIUM) PROBOTS	DWG No. 1
		Rev.	Date of issue 9/11/2020
		Sheet 1/2	



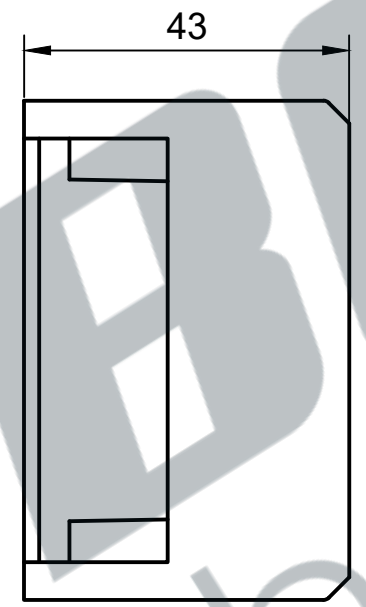
TOP(SECTION)
92



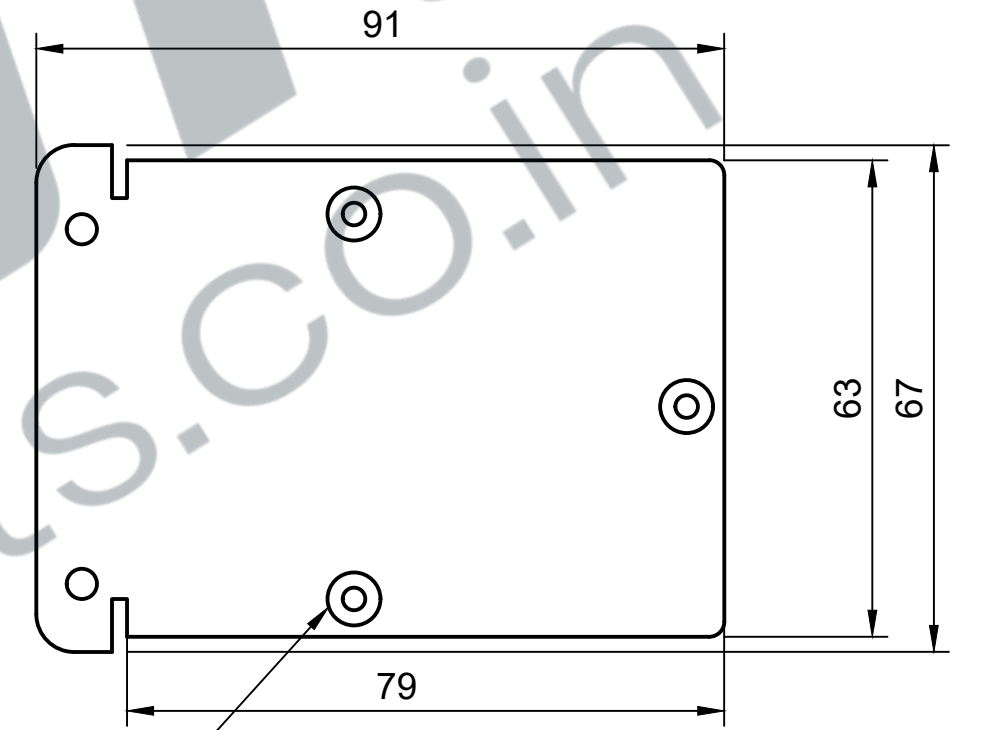
BOTTOM(SIDE)



TOP(OD)
82
78

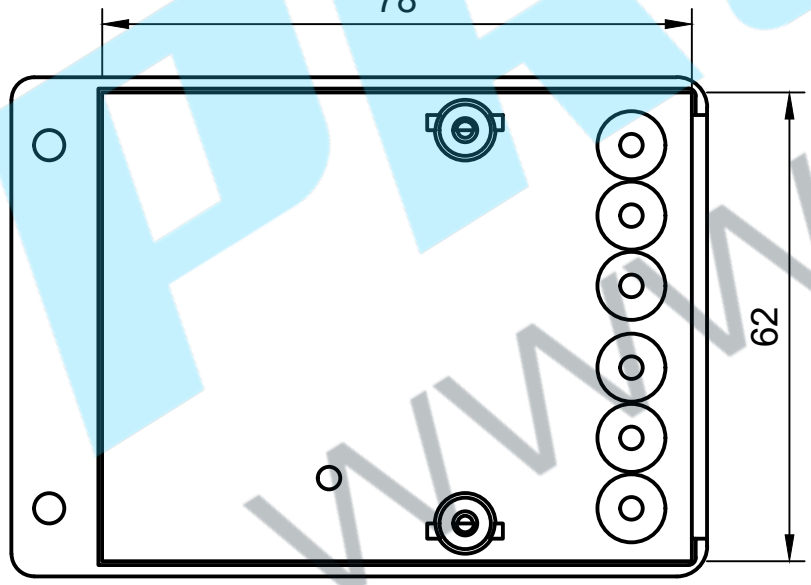


TOP(SIDE)



BOTTOM(OD)

Mounting holes.



TOP(ID)

NOTE:All dimensions are in mm.
OD-Outer diameter; ID-Inner diameter.

Dept. MECH	Technical reference	Created by HEMANTH C 9/11/2020	Approved by PRATHEEK 9/11/2020
		Document type PDF	Document status
		Title PEM04(MEDIUM) ROBOTS	DWG No. 1
		Rev.	Date of issue 9/11/2020
		Sheet 2/2	