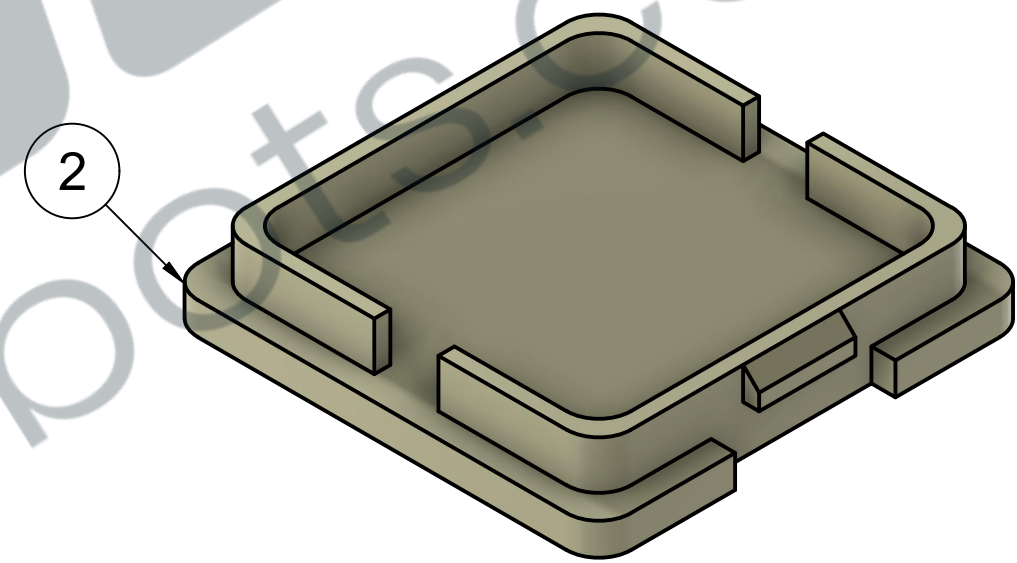
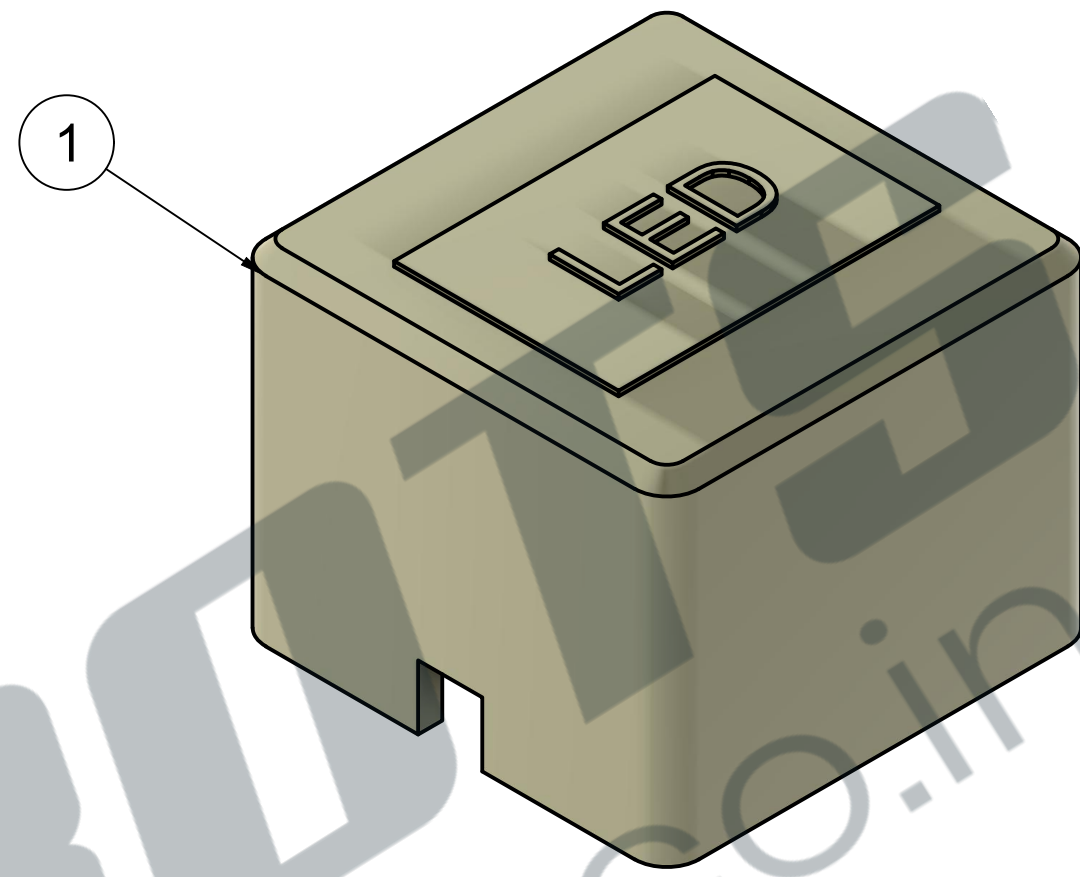
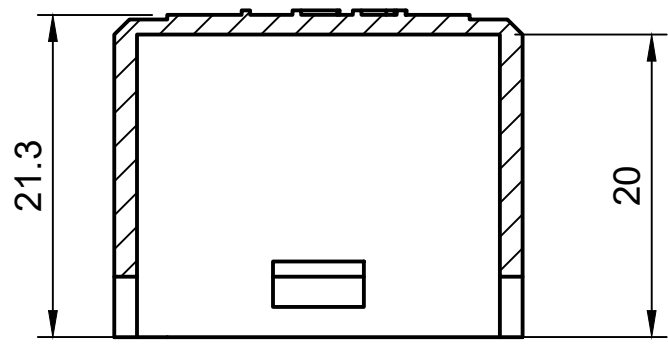


ISO



1)TOP.
2)BOTTOM.

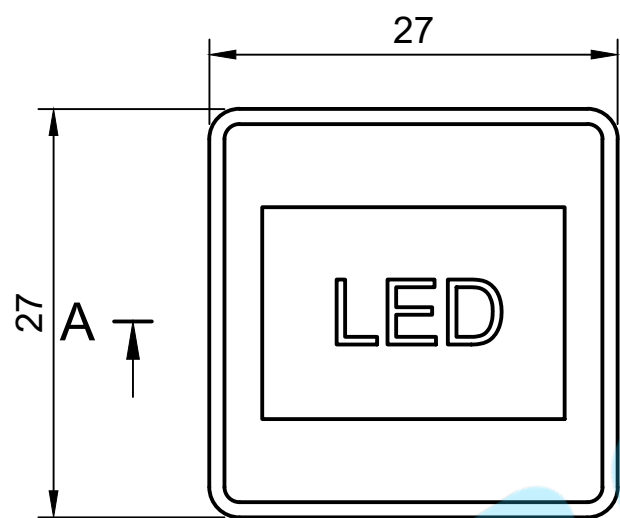
Dept. MECH	Technical reference	Created by HEMANTH C 9/19/2020	Approved by PRATHEEK 9/19/2020
		Document type PDF	Document status
		Title PES09(SMALL) PROBOTS	DWG No. 1
		Rev.	Date of issue 9/19/2020
		Sheet 1/2	



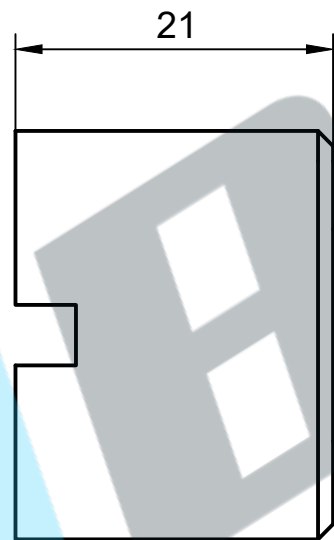
TOP(SECTION)



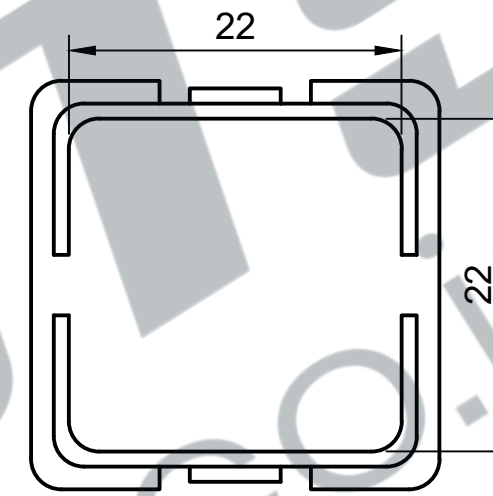
BOTTOM(SECTION)



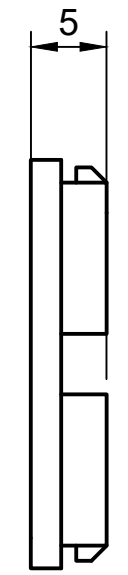
TOP(OD)



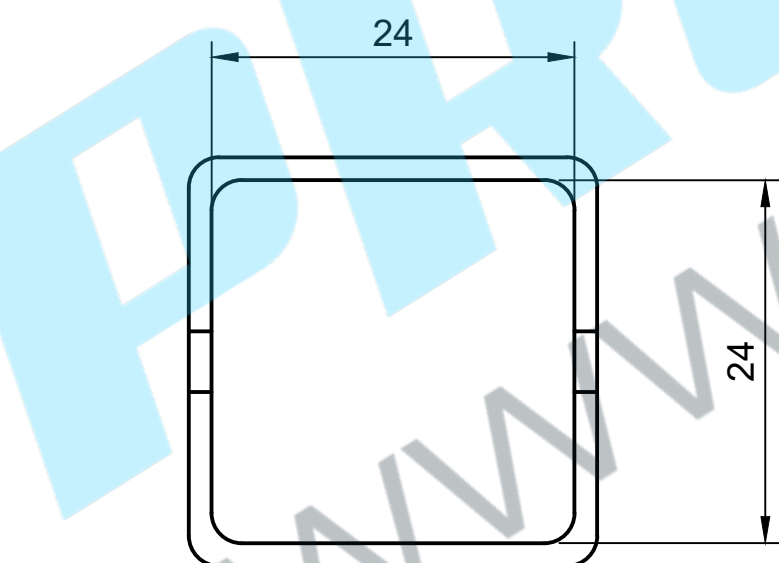
TOP(SIDE)



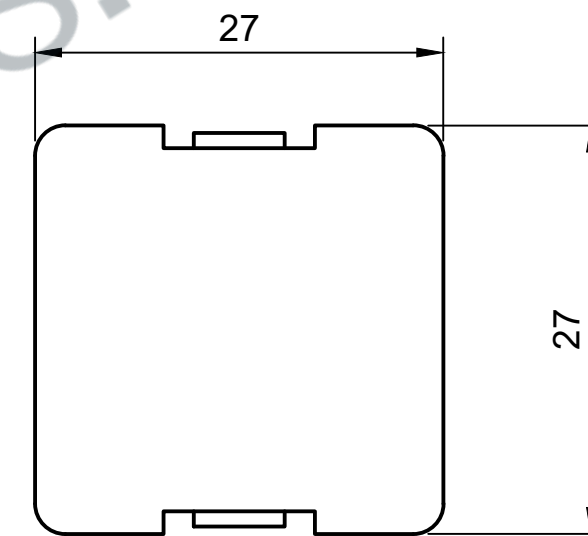
BOTTOM(ID)



BOTTOM(SIDE)



TOP(ID)



BOTTOM(OD)

NOTE:All dimenstions are in mm.
OD-Outer diameter;ID-Inner diameter.

Dept. MECH	Technical reference	Created by HEMANTH C 9/19/2020	Approved by PRATHEEK 9/19/2020
		Document type PDF	Document status
		Title PES09(SMALL) PROBOTS	DWG No. 1
		Rev.	Date of issue 9/19/2020
		Sheet 2/2	