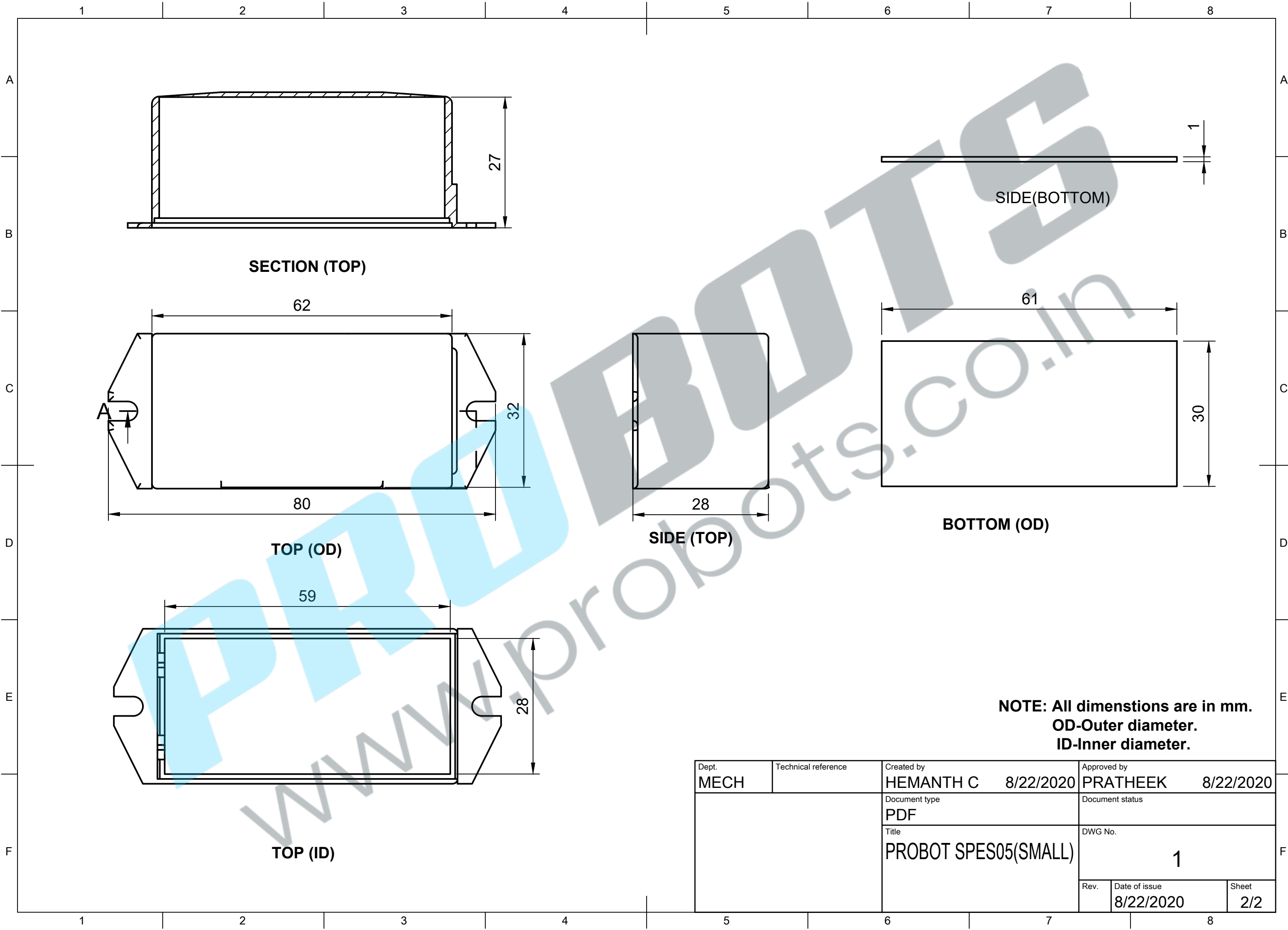


1)TOP.
2)BOTTOM.

Dept. MECH	Technical reference	Created by HEMANTH C 8/22/2020	Approved by PRATHEEK 8/22/2020
		Document type PDF	Document status
		Title PROBOT SPES05(SMALL)	DWG No. 1
		Rev.	Date of issue 8/22/2020
		Sheet 1/2	



Dept. MECH	Technical reference	Created by HEMANTH C 8/22/2020	Approved by PRATHEEK 8/22/2020
		Document type PDF	Document status
		Title PROBOT SPES05(SMALL)	DWG No. 1
		Rev.	Date of issue 8/22/2020
		Sheet 2/2	