

LockIT Magnetic Sensors are used to detect door positions status as Open or Closed. The sensor consists of two parts - a magnet and a reed sensor. The magnet can be secured to the door, and the reed sensor to the door frame. When the magnet is within the range of the reed sensor, the reed sensor detects it and indicates the output as a switch output - NO or NC.

These Magnetic sensors are suitable for wide range of applications like - access control systems, rolling shutter alarms, window alarms, equipment & control panel door detection, office/home automation, etc. Outputs can be directly connected to a PLC or Controller. Relays/Contactors can be used at the output to directly control loads like - buzzers, hooters, strobe lights, etc

These Magnetic sensors can be integrated with an access system controller, microcontroller, PLC, etc . Use a relay to activate the Alarm from a microcontroller/PLC. Suitable for use in interior doors, cabinets, entrance doors, etc.



## Features

- Non-contact design requires no operating force to actuate switch
- Solid state design uses Hall effect technology for long life operation with no mechanical parts to wear
- Can be integrated with Automation Systems
- Suitable for all types of door materials - Wooden doors, stainless steel doors, etc
- Easy to Install -Screw Mounted /Adhesive
- High strength material in anodized aluminium housing
- High corrosion resistance construction
- Available in different models based on applications



## Applications

- Can be used in Access Control Systems for Door & Window Status Detection
- Fire and Access Control Systems in Public buildings, hospitals, warehouses, industrial facilities, government buildings, hotels, offices, etc.
- Smart Refrigeration - door sensors can be used to ensure that necessary refrigeration temperatures are maintained: If the door of a refrigerated shelf is not closed, prompt action can be taken to maintain the quality and safety of the food and save energy.
- The sensors can be attached not only to doors but also to windows, where it can alert the unexpected usage/intruders (e.g. in company buildings outside operating hours)
- Smart Access Logs - for ex, to determine how often the sanitary facilities have been frequented, allowing cleaning to be adapted to actual usage.

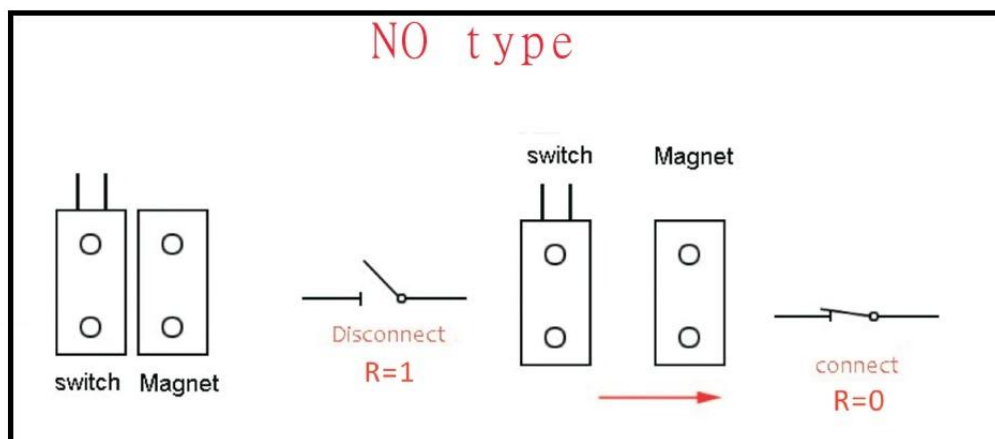
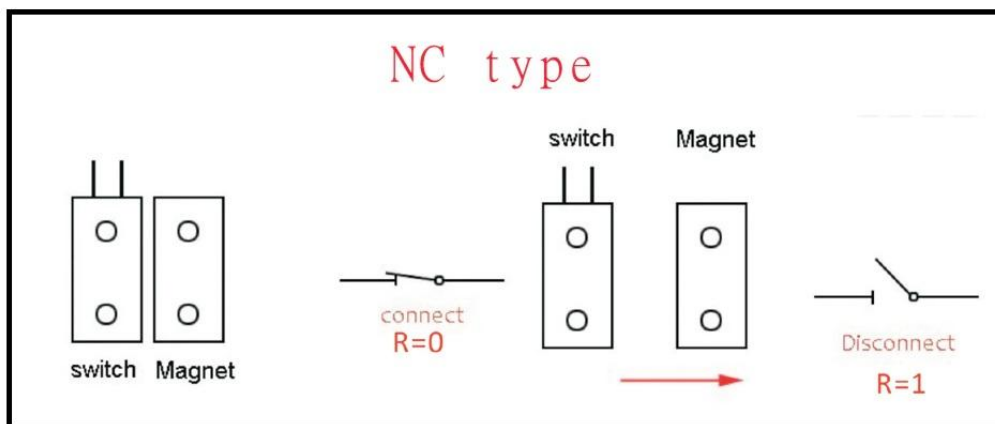
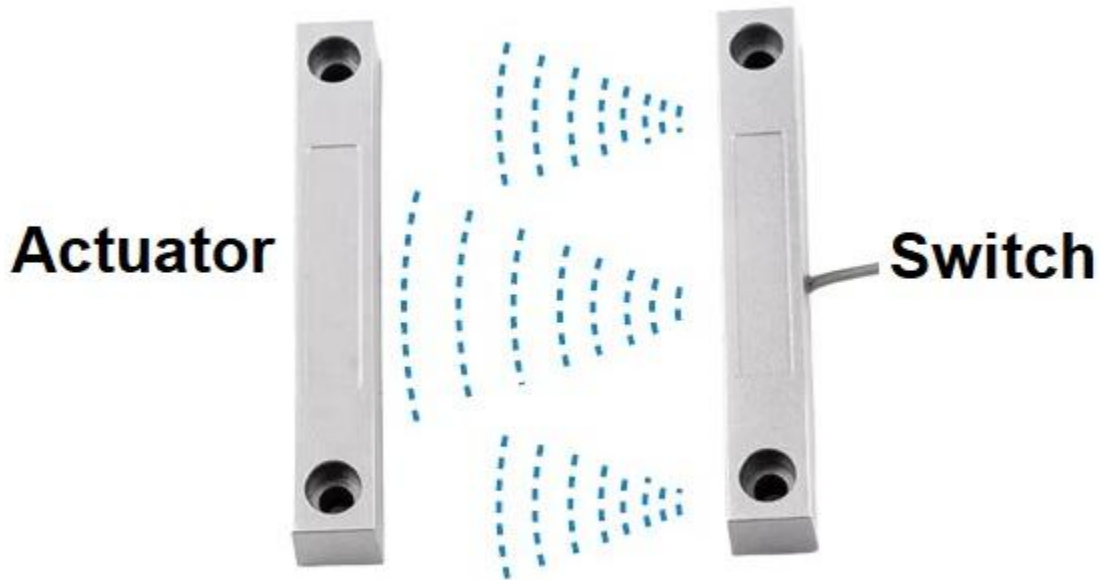


## Table of Contents

<b>Table of Contents</b>	<b>2</b>
<b>1.Operating Principle</b>	<b>3</b>
<b>2.Technical Specifications</b>	<b>4</b>
<b>3.Mounting Directions</b>	<b>9</b>
<b>4.Dimensions</b>	<b>10</b>
<b>5.Accessories</b>	<b>14</b>


## 1. Operating Principle




On presenting the actuator to the switch, high intensity magnetic field from the actuator causes the contacts to close or open. On removing the actuator (opening the door), the safety contacts open or close based on switch type (NO or NC).



**2. Technical Specifications**

Product Photo	Specifications
	<p><b>Model : LMS010-01</b></p> <p>Magnet sensing Range : 15-20mm                      Output : Normally open (NO)                      Switch Rating : 0.1A/100V                      Housing Material : ABS Plastic                      Mounting Syle : Screw/Adhesive                      Dimensions : 27*14*8mm                      Preferable Applications : Non-metal Door/Window</p>
	<p><b>Model : LMS020-01</b></p> <p><b>Magnet sensing Range : 15-25mmv</b>  <b>Output : Normally open (NO)</b>  <b>Switch Rating : 0.1A/100V</b>  <b>Housing Material : ABS Plastic</b>  <b>Mounting Syle : Screw/Adhesive</b>  <b>Dimensions : 27*14*8mm</b>  <b>Preferable Applications : Non-metal Door/Window</b></p>
	<p><b>Model : LMS030-11</b></p> <p><b>Magnet sensing Range : 20-30mm</b>  <b>Output : Normally open (NO),Normally close(NC),Common(C)</b>  <b>Switch Rating : 0.1A/100V</b>  <b>Housing Material : Zinc- Alloy</b>  <b>Mounting Syle : Screw</b>  <b>Dimensions : 32 * 14.5 * 8mm</b>  <b>Preferable Applications : Metal Door/Window</b></p>

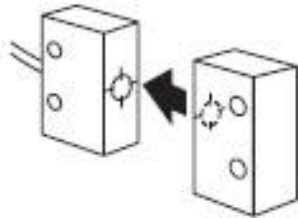
Product Photo	Specifications
	<p><b>Model : LMS040-11</b></p> <p><b>Magnet sensing Range :</b> 25-35mm  <b>Output :</b> Normally open (NO),Normally close(NC),Common(C)  <b>Switch Rating :</b> 0.1A/100V  <b>Housing Material :</b> Zinc-alloyed  <b>Mounting Syle :</b> Screw  <b>Dimensions :</b> 50 * 20 * 10mm  <b>Preferable Applications :</b> Metal Door/Window</p>
	<p><b>Model : LMS050-11</b></p> <p><b>Magnet sensing Range :</b> 40-60mm  <b>Output :</b> Normally open (NO),Normally close(NC),Common(C)  <b>Switch Rating :</b> 0.1A/100V  <b>Housing Material :</b> ABS Plastic  <b>Mounting Syle :</b> Screw  <b>Dimensions :</b> 51 * 9 * 9mm  <b>Preferable Applications :</b> Non-metal Door/Window</p>
	<p><b>Model : LMS060-11</b></p> <p><b>Magnet sensing Range :</b> 30-40mm  <b>Output :</b> Normally open (NO),Normally close(NC),Common(C)  <b>Switch Rating :</b> 0.1A/100V  <b>Housing Material :</b> Aluminum  <b>Mounting Syle :</b> Screw  <b>Dimensions :</b> 60 * 25 * 10mm  <b>Preferable Applications :</b> Metal Door/Window</p>

Product Photo	Specifications
	<p><b>Model : LMS070-11</b></p> <p><b>Magnet sensing Range :</b> 50-70mm  <b>Output :</b> Normally open (NO),Normally close(NC),Common(C)  <b>Switch Rating :</b> 0.1A/100V  <b>Housing Material :</b> Zinc-alloyed  <b>Mounting Syle :</b> Screw  <b>Dimensions :</b> 87*38*10mm  <b>Preferable Applications :</b> Roller shutter ,door,window</p>
	<p><b>Model : LMS080-11</b></p> <p><b>Magnet sensing Range :</b> 50-70mm  <b>Output :</b> Normally open (NO),Normally close(NC),Common(C)  <b>Switch Rating :</b> 0.1A/100V  <b>Housing Material :</b> Zinc-alloyed  <b>Mounting Syle :</b> Screw  <b>Dimensions :</b> 105 * 48 * 10mm  <b>Preferable Applications :</b> Sliding Door</p>
	<p><b>Model : LMS090-11</b></p> <p><b>Magnet sensing Range :</b> 50-70mm  <b>Output :</b> Normally open (NO),Normally close(NC),Common(C)  <b>Switch Rating :</b> 0.1A/100V  <b>Housing Material :</b> Aluminum  <b>Mounting Syle :</b> Screw  <b>Dimensions :</b> 106*38*10mm  <b>Preferable Applications :</b> Position sensor, Metal overhead door window,rolling shutters</p>

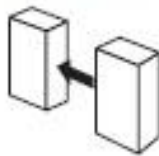
Product Photo	Specifications
	<p><b>Model : LMS100-11</b></p> <p><b>Magnet sensing Range :</b> 40-60mm  <b>Output :</b> Normally open (NO),Normally close(NC),Common(C)  <b>Switch Rating :</b> 0.1A/100V  <b>Housing Material :</b> Aluminum  <b>Mounting Syle :</b> Screw  <b>Dimensions :</b> 106 * 16 * 16mm  <b>Preferable Applications :</b> Metal Door/Window</p>
	<p><b>Model : LMS110-01</b></p> <p><b>Magnet sensing Range :</b> 40-60mm  <b>Output :</b> Normally open (NO)  <b>Switch Rating :</b> 0.1A/100V  <b>Housing Material :</b> ABS Plastic  <b>Mounting Syle :</b> Screw  <b>Dimensions :</b> 110 * 14 * 14mm  <b>Preferable Applications :</b> Door ,Window</p>
	<p><b>Model : LMS120-01</b></p> <p><b>Magnet sensing Range :</b> 30-50 mm  <b>Output :</b> Normally open (NO)  <b>Switch Rating :</b> 0.1A/100V  <b>Housing Material :</b> ABS Plastic  <b>Mounting Syle :</b> Screw  <b>Dimensions :</b> 120 * 80 * 32mm  <b>Preferable Applications :</b> Special door shutter doors</p>

## 3. Mounting Directions

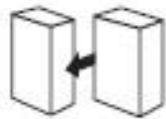
### Mounting Direction



CORRECT



CORRECT



CORRECT



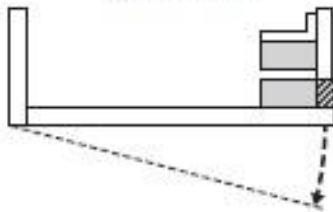
INCORRECT



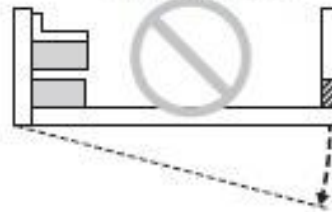
### Using for Hinged Doors

On hinged doors, install the Sensor at an opening edge as shown below.

CORRECT



INCORRECT



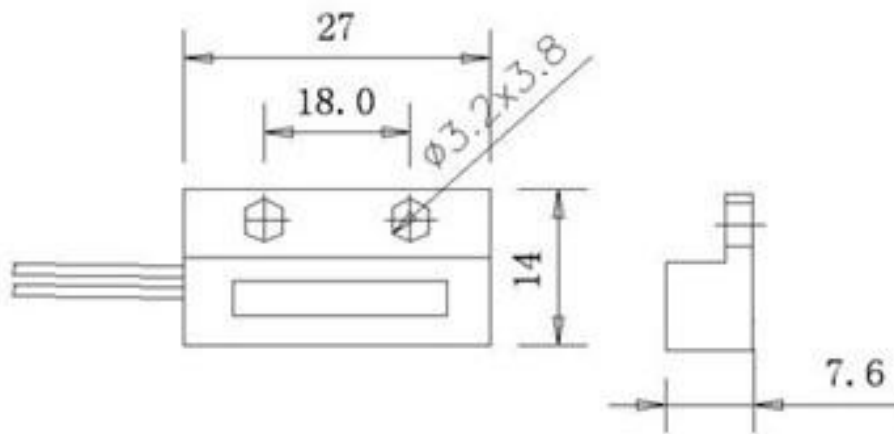


## 4. Dimensions

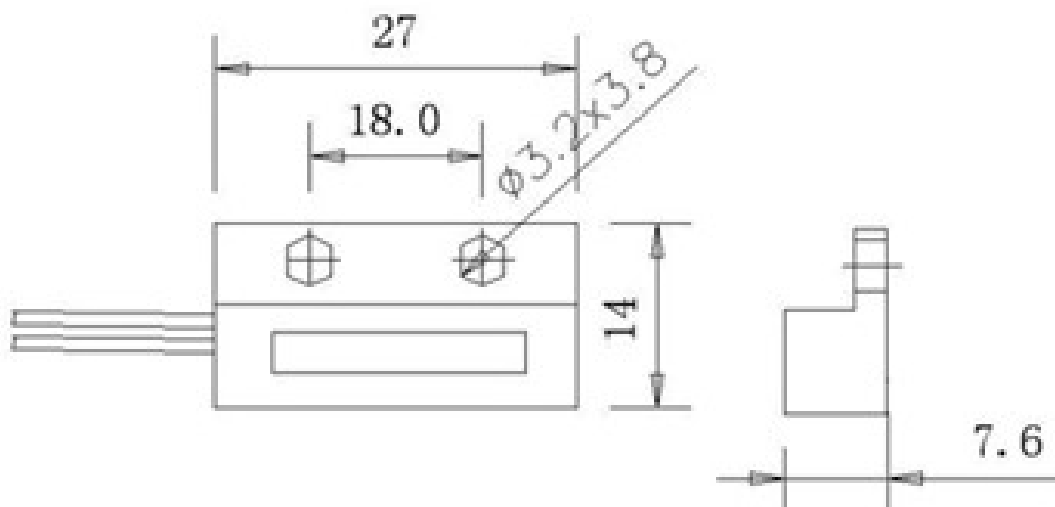
### Note:

- ❖ Dimensions provided below are only for reference, actual product dimensions may change from batch to batch ,Kindly contact us directly before ordering if you need specific dimensions.
- ❖ The dimensions below are given in +/- 3mm accuracy.

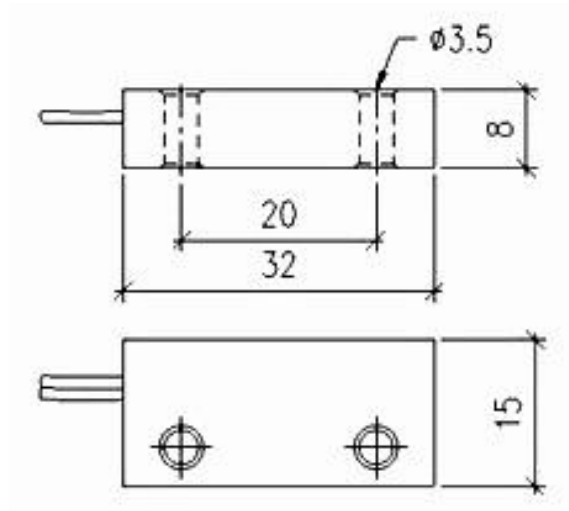
- **LMS010-01**



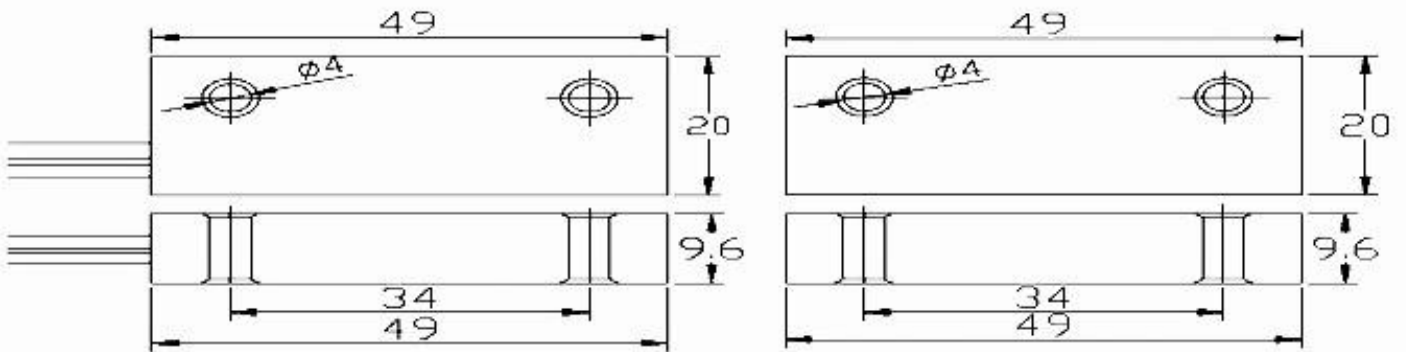
- **LMS020-01**



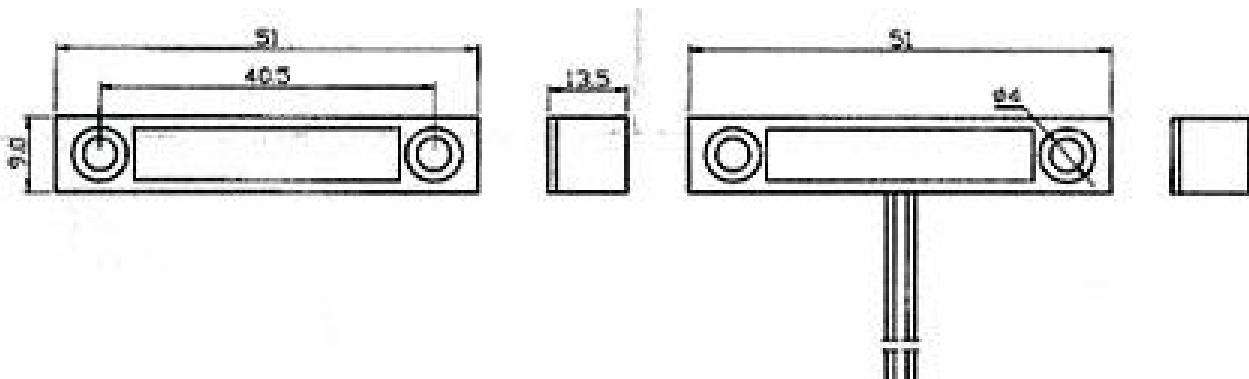
- LMS030-11



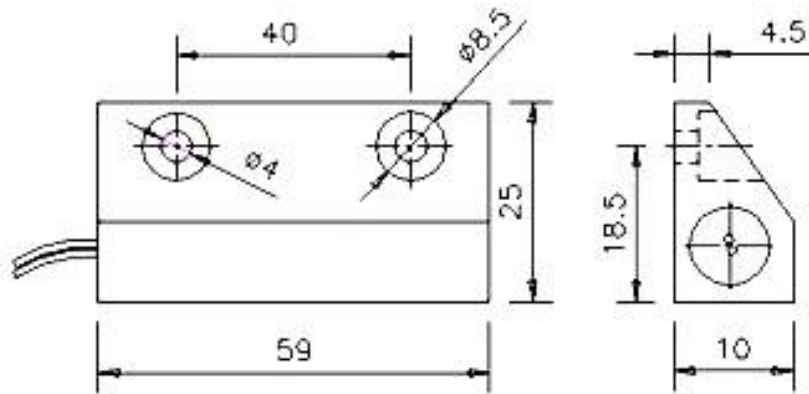
- LMS040-11



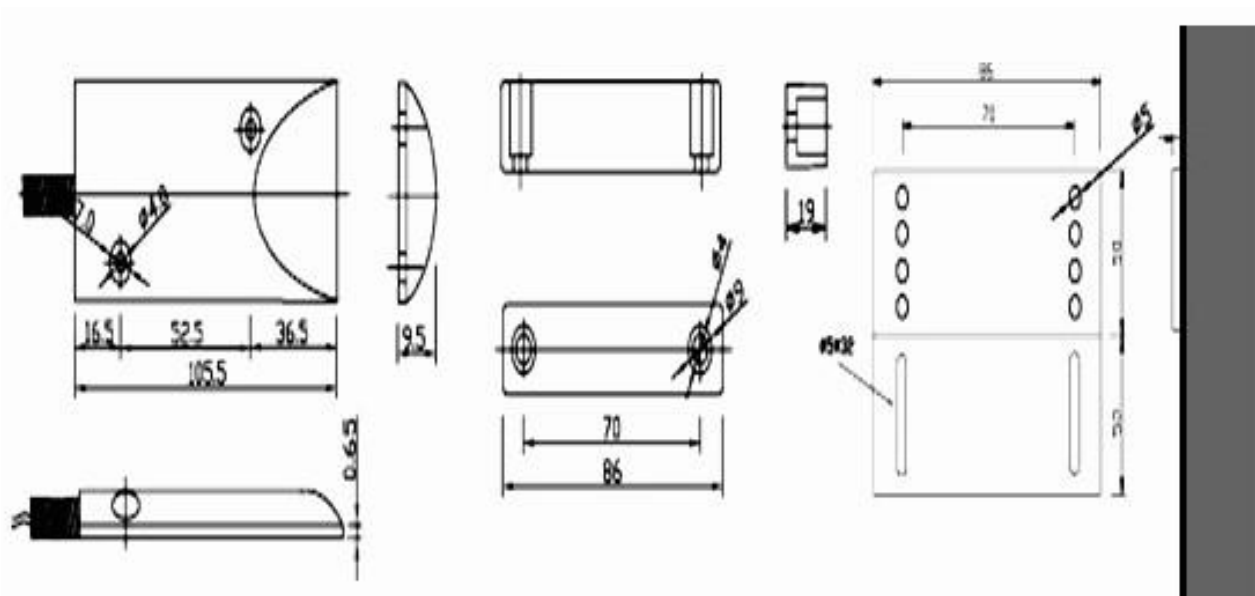
- LMS050-11



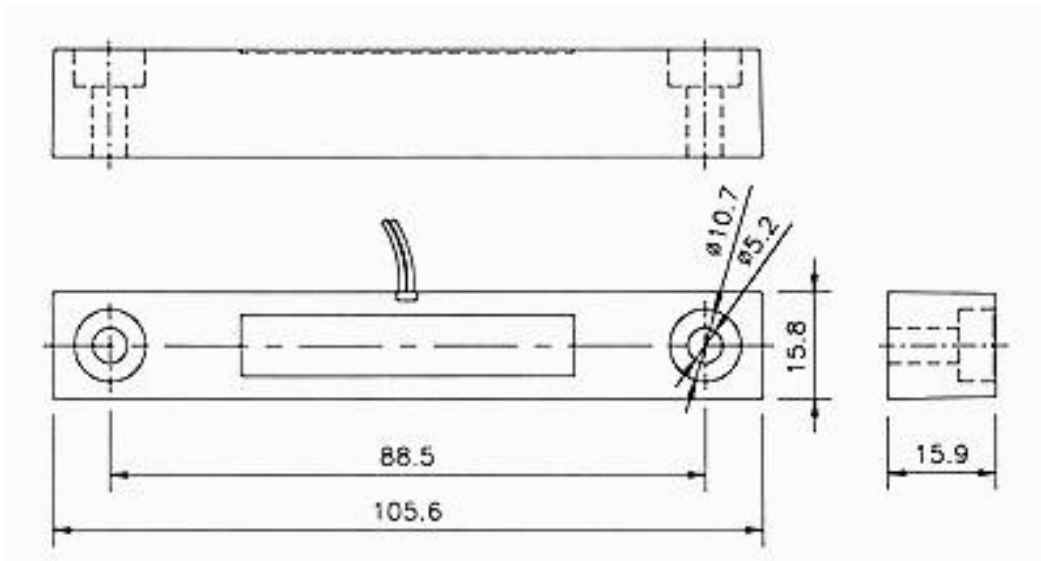
- LMS060-11



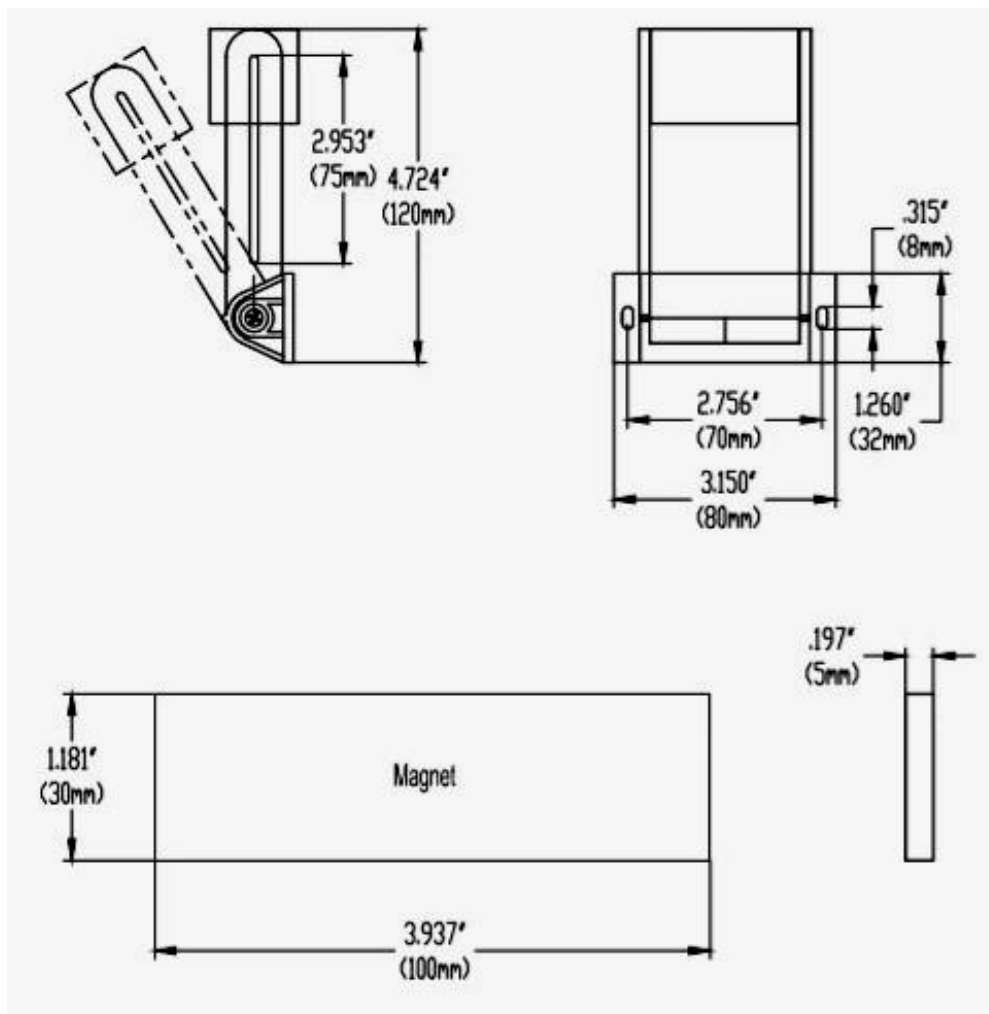
- LMS080-11



- LMS100-11







- LMS120-01



## 5. Accessories

### Different Types of Electromagnetic locks

No	Product Photo	Descriptions
1		<p><b>Mini Solenoid Locks for Cabinets, Lockers and Small Doors</b></p> <p>Available in 6V, 12V and 24V Variants. Ordering Codes &amp; SKU -</p> <ul style="list-style-type: none"> <li>• <a href="#">PRO3308</a></li> <li>• <a href="#">PRO1269</a></li> <li>• <a href="#">PRO2413</a></li> <li>• <a href="#">PRO747</a></li> </ul>
2		<p><b>LockIT Electromagnetic Lock</b></p> <p>EM Locks have no moving parts and are preferred for their long life and easy installation. LockIT has a variety of EM Locks for different applications based on size and holding force.</p> <p>Ordering Codes &amp; SKU -</p> <ul style="list-style-type: none"> <li>• <a href="#">PRO2883</a></li> <li>• <a href="#">PRO3329</a></li> </ul>
3		<p><b>LockIT Electric Lock for Locker and Cabinets</b></p> <p>Available in multiple voltages. Optional Feedback sensor is available to detect door/lock status feedback. Door this thrown open after unlocking like in gym &amp; locker doors.</p> <p>Ordering Codes &amp; SKU - <a href="#">PRO2886</a></p>
4		<p><b>LockIT Electric Bolt Lock for Access Control</b></p> <p>Designed for Security and Access Control and access control systems. Users can match their requirements with a wide range of models based on different sizes and operating modes.</p> <p>Ordering Codes &amp; SKU -</p> <ul style="list-style-type: none"> <li>• <a href="#">PRO3319</a></li> <li>• <a href="#">PRO3275</a></li> <li>• <a href="#">PRO3274</a></li> </ul>

## Terms and Conditions Agreement

### Read and understand this catalogue.

Please read and understand this catalogue before purchasing the products. Please consult your ProMax sales/technical representative if you have any questions or comments.

### Warranties.

(a) Warranty. ProMax does not offer any warranty/guarantee/replacement/returns for products once sold. Since these products are used in research/testing/production with other components, it is beyond our scope to determine the working of our product in your application. ProMax disclaims all other warranties, express or implied.

(b) Limitations. ProMax MAKES NO WARRANTY OR REPRESENTATION, EXPRESS OR IMPLIED, ABOUT NON-INFRINGEMENT, MERCHANTABILITY OR FITNESS FOR A PARTICULAR PURPOSE OF THE PRODUCTS. THE BUYER ACKNOWLEDGES THAT IT ALONE HAS DETERMINED THAT THE PRODUCTS WILL SUITABLY MEET THE REQUIREMENTS OF THEIR INTENDED USE.

ProMax further disclaims all warranties and responsibility of any type for claims or expenses based on infringement by the Products or otherwise of any intellectual property right.

(c) Buyer Remedy. ProMax sole obligation hereunder shall be, at ProMax's election, to (i) replace (in the form originally shipped with Buyer responsible for labor charges for removal or replacement thereof) the non-complying Product, (ii) repair the non-complying Product, or (iii) repay or credit Buyer an amount equal to the purchase price of the non-complying Product; provided that in no event shall ProMax be responsible for warranty, repair, indemnity or any other claims or expenses regarding the Products unless ProMax analysis confirms that the Products were properly handled, stored, installed and maintained and not subject to contamination, abuse, misuse or inappropriate modification or any other reason. Return of any Products by Buyer must be approved in writing by ProMax before shipment. ProMax Companies shall not be liable for the suitability or unsuitability or the results from the use of Products in combination with any electrical or electronic components, circuits, system assemblies or any other materials or substances or environments. Any advice, recommendations or information is given orally or in writing, are not to be construed as an amendment or addition to the above warranty. See <http://www.probots.co.in/> or contact your ProMax representative for published information.

### Limitation on Liability; Etc.

ProMax COMPANIES SHALL NOT BE LIABLE FOR SPECIAL, INDIRECT, INCIDENTAL, OR CONSEQUENTIAL DAMAGES, LOSS OF PROFITS OR PRODUCTION OR COMMERCIAL LOSS IN ANY WAY CONNECTED WITH THE PRODUCTS, WHETHER SUCH CLAIM IS BASED IN CONTRACT, WARRANTY, NEGLIGENCE OR STRICT LIABILITY.

Further, in no event, shall liability of ProMax Companies exceed the individual price of the Product on which liability is asserted.

Suitability of Use. ProMax Companies shall not be responsible for conformity with any standards, codes or regulations which apply to the combination of the Product in the Buyer's application or use of the Product. At Buyer's request, ProMax will provide applicable third party certification documents identifying ratings and limitations of use which apply to the Product. This information by itself is not sufficient for a complete determination of the suitability of the Product in combination with the end product, machine, system, or other application or use. Buyer shall be solely responsible for determining the appropriateness of the particular Product with respect to Buyer's application, product or system. Buyer shall take application responsibility in all cases. NEVER USE THE PRODUCT FOR AN APPLICATION INVOLVING SERIOUS RISK TO LIFE OR PROPERTY OR IN LARGE QUANTITIES WITHOUT ENSURING THAT THE SYSTEM AS A WHOLE HAS BEEN DESIGNED TO ADDRESS THE RISKS, AND THAT THE ProMax PRODUCT(S) IS PROPERLY RATED AND INSTALLED FOR THE INTENDED USE WITHIN THE OVERALL EQUIPMENT OR SYSTEM.

### Programmable Products.

ProMax Companies shall not be responsible for the user's programming of a programmable Product, or any consequence thereof. Performance Data.

Data presented in ProMax Company websites, catalogues and other materials is provided as a guide for the user in determining the suitability and does not constitute a warranty. It may represent the result of ProMax's test conditions, and the user must correlate it to actual application requirements. Actual performance is subject to ProMax's Warranty and Limitations of Liability.

### Change in Specifications.

Product specifications and accessories may be changed at any time based on improvements and other reasons. It is our practice to change part numbers when published ratings or features are changed, or when significant construction changes are made. However, some specifications of the Product may be changed without any notice. When in doubt, special part numbers may be assigned to fix or establish key specifications for your application. Please consult with your ProMax's representative at any time to confirm the actual specifications of the purchased Product. Errors and Omissions. Information presented by ProMax Companies has been checked and is believed to be accurate; however, no responsibility is assumed for clerical, typographical or proofreading errors or omissions.