

1 piece of chassis



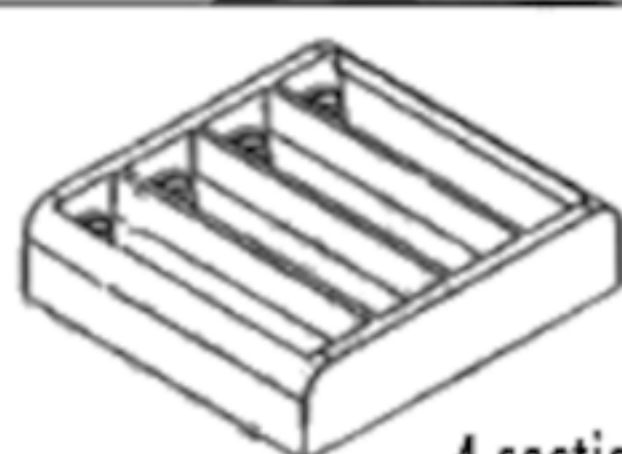
Wheel 2



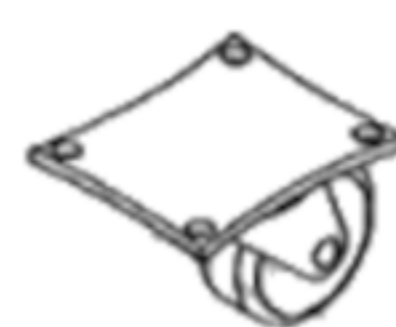
2 speed measuring discs



2 DC motor



4 section 5th battery case 1



Universal wheel 1



4 screws



Switch 1



Fastener 4 pieces



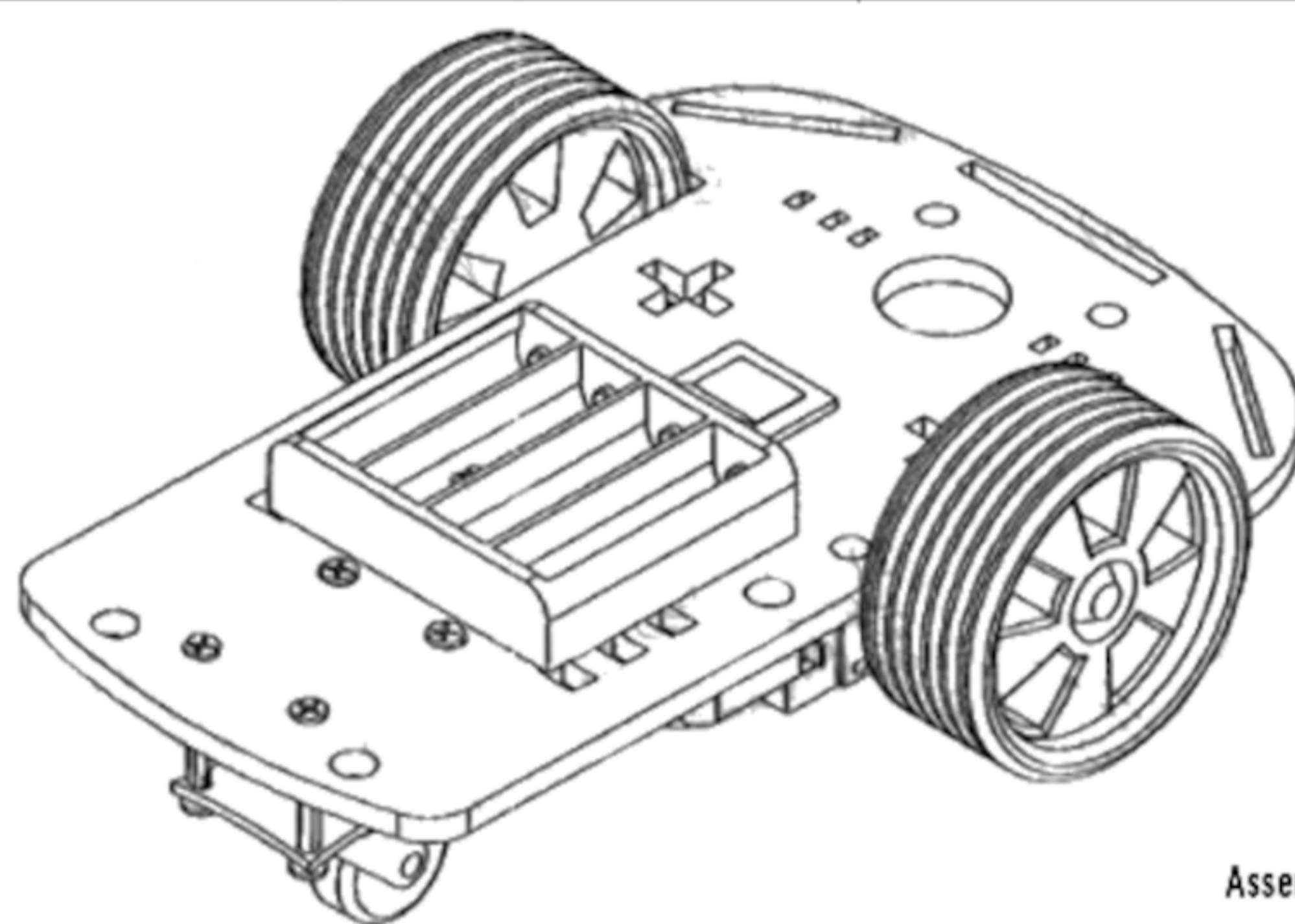
8 screws



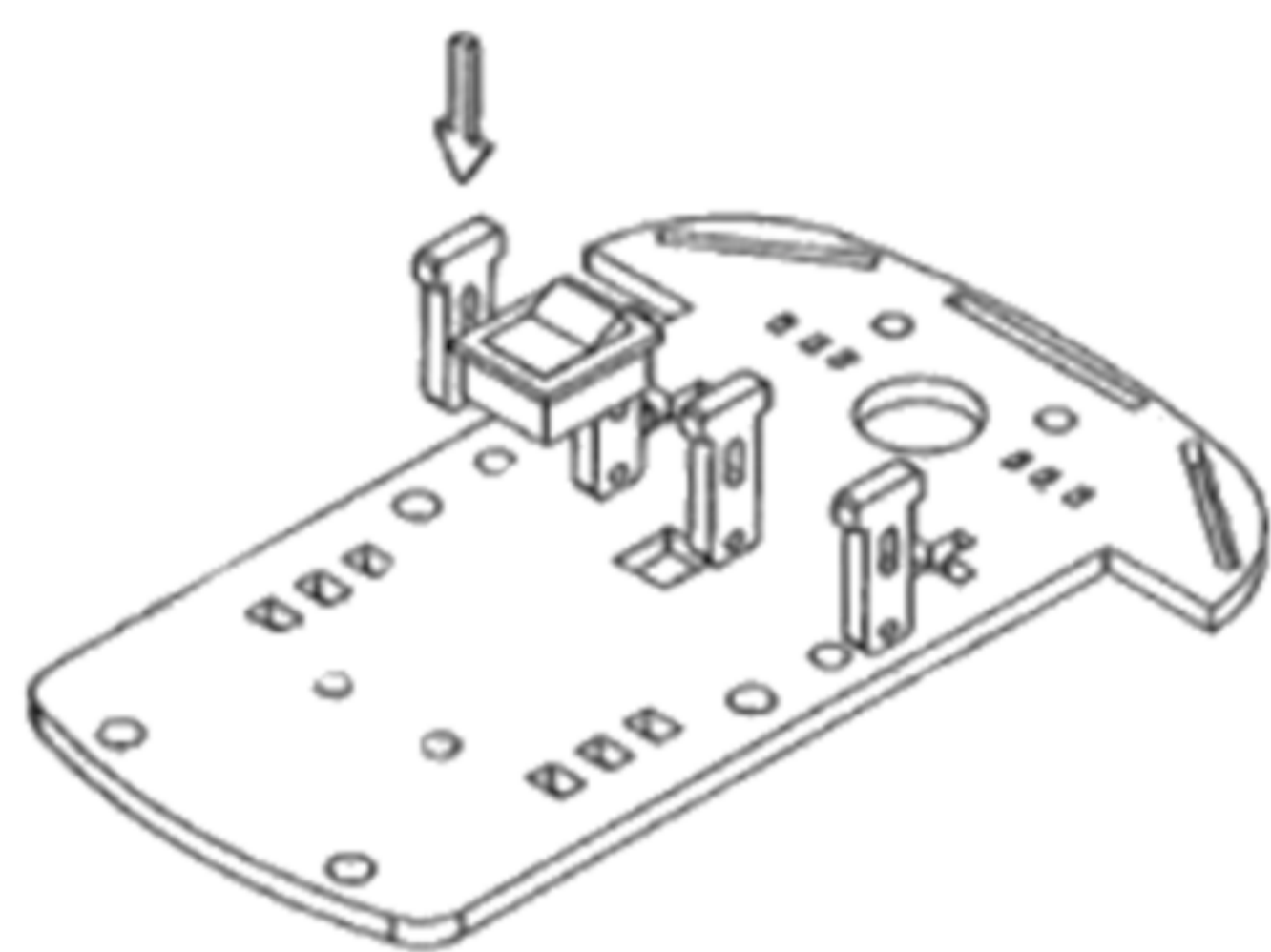
8 nuts



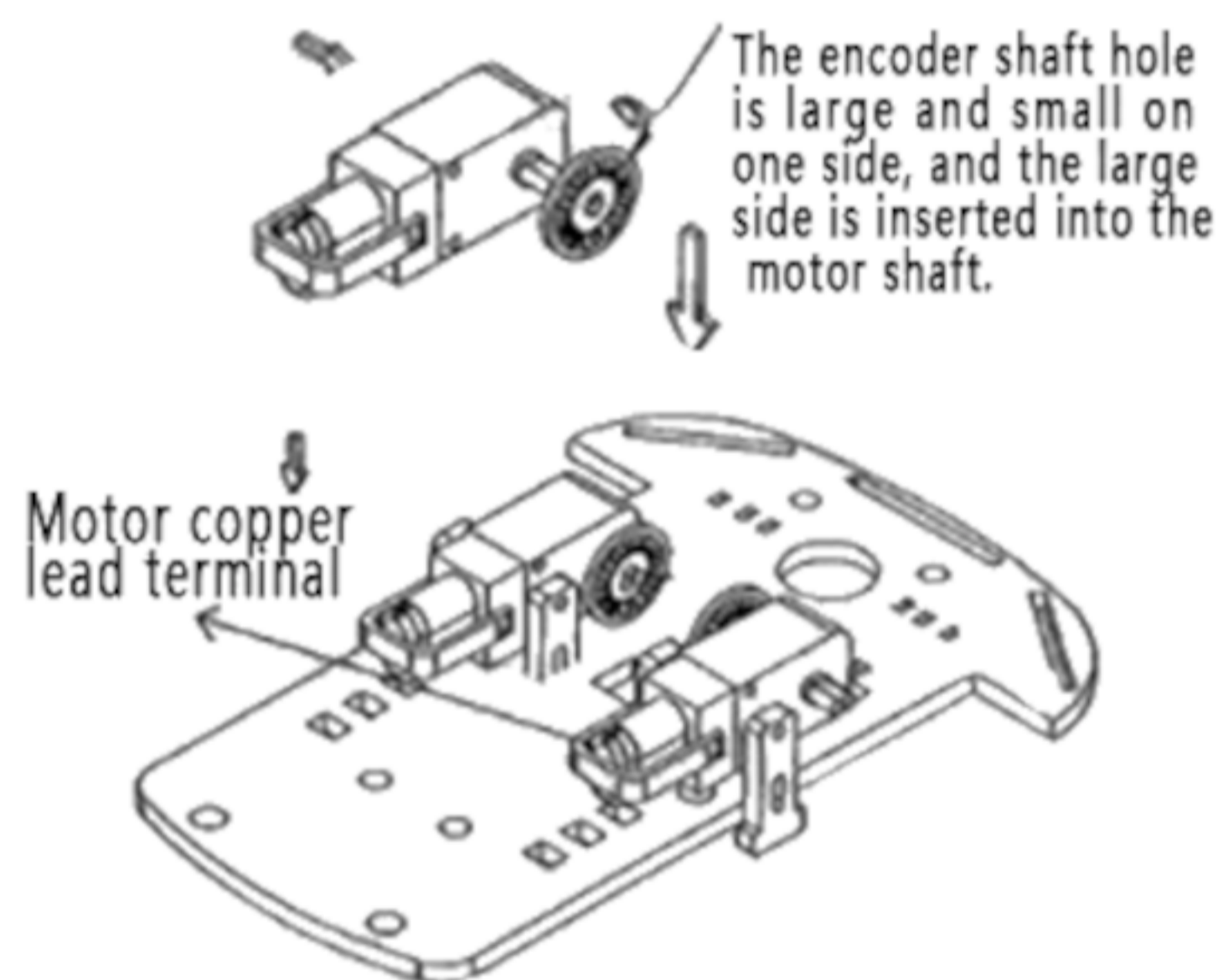
Copper column 4



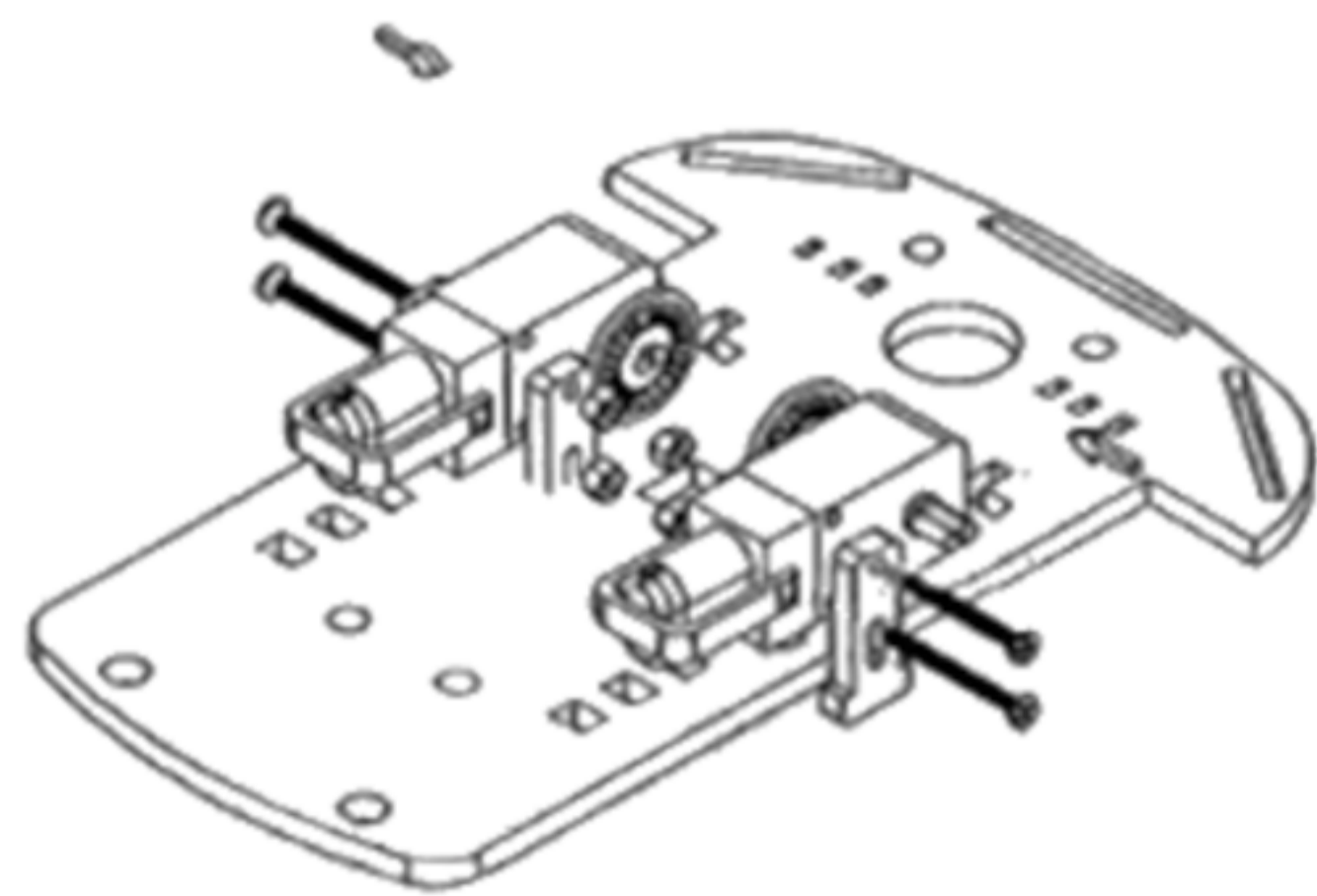
Assembly diagram



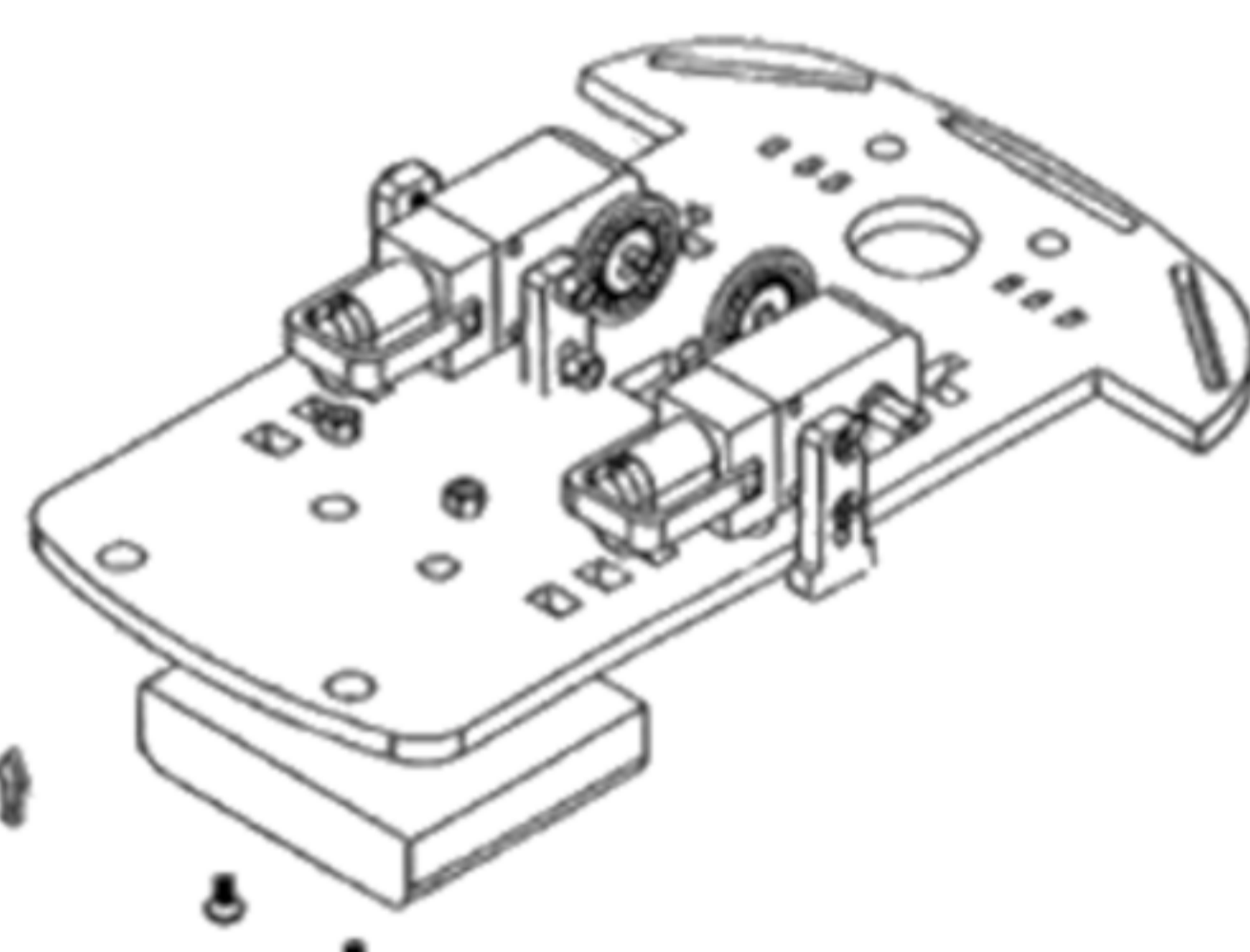
Step 1: First tear off the yellow protective paper of the car bottom plate, fasteners and code wheel. Then insert the fastener into the car floor



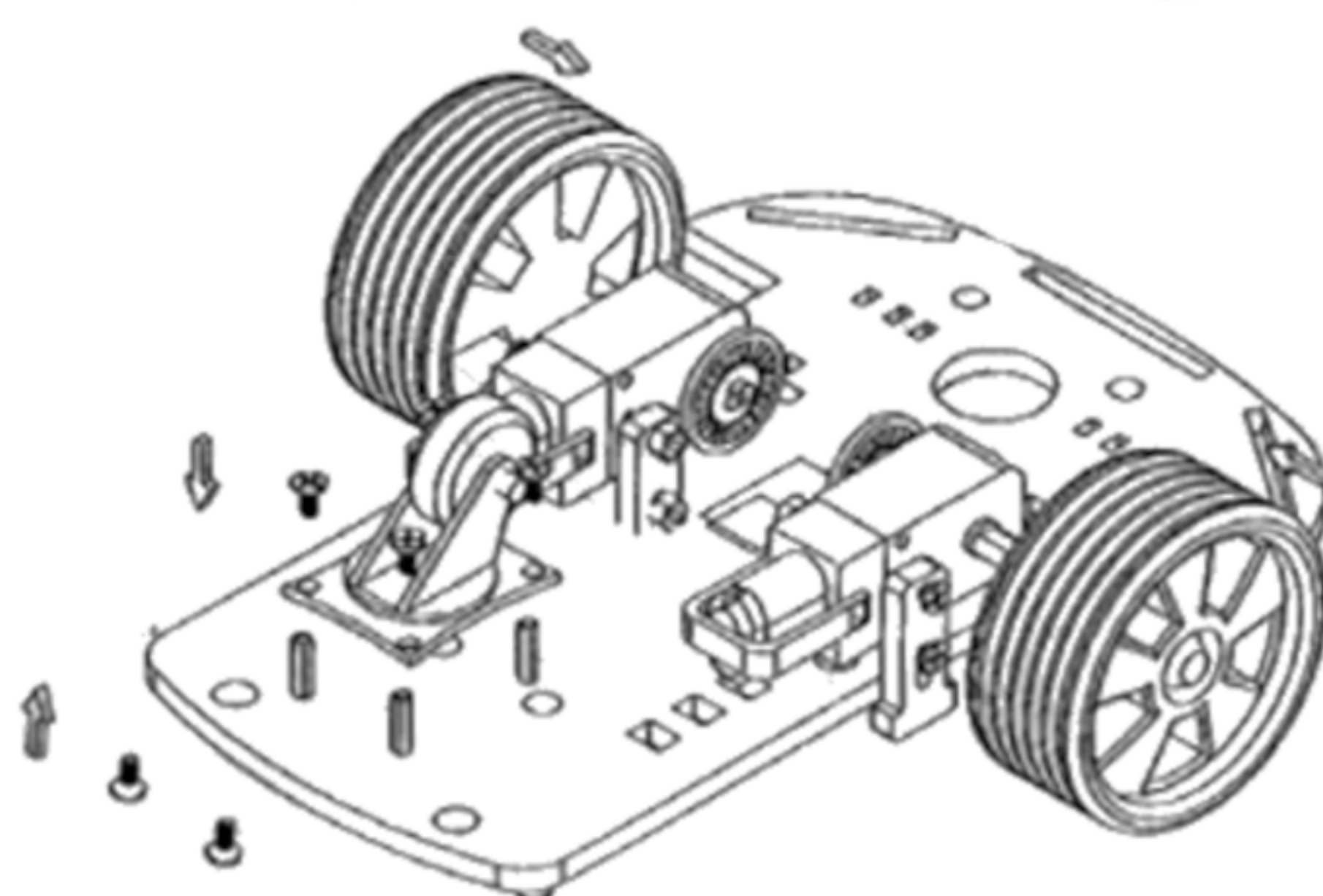
Step 2: Install the code wheel and fix the motor to the bottom plate. Note: Motor leadThe copper piece faces the inner side, that is, the end of the code plate, and must not be reversed.



Step 3: Fix the motor to the bottom plate of the cart, insert the screws, and tighten the nut



Step 4: Insert the screws to secure the battery compartment



Step 5: Insert the copper column, tighten the 8 screws to fix the universal wheel, hold the motor (protective fastener) and insert it into the wheel. The assembly is complete.